

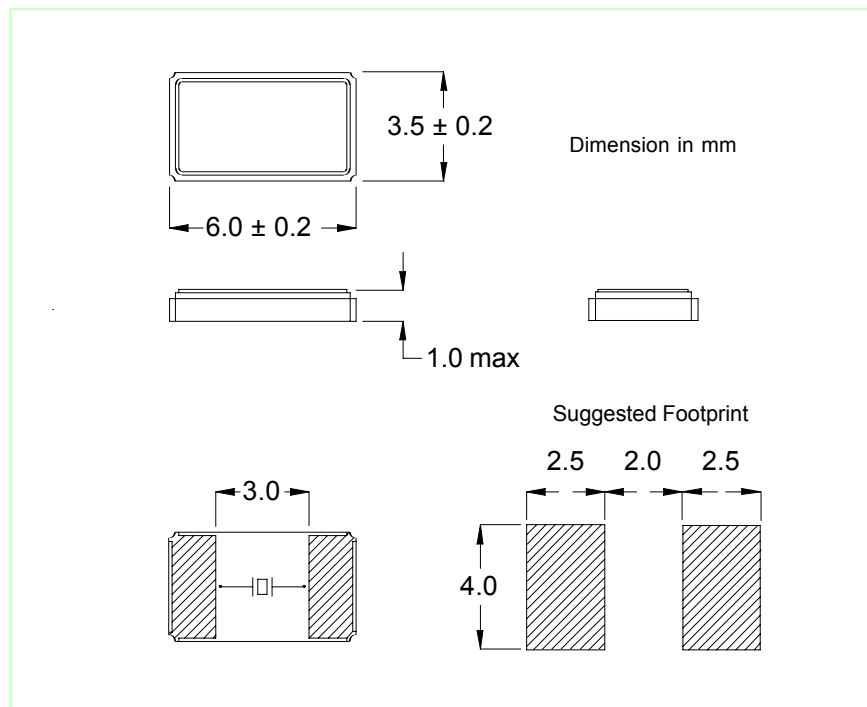
ACT631SMX-2

The **ACT631SMX-2** is a 2 pad, high quality, low aging, metal seam packaged crystal suitable for automatic placement on printed circuit boards. With a wide frequency range, and tight stability it has become one of the optimum choices for design engineers.



Parameter	Symbol	Specification	Condition
Frequency Range	fo	12.00 ~ 120.00 MHz	
Frequency Tolerance	$\Delta f/f_0$	$\pm 10\text{ppm} \sim 50\text{ppm}$	@25°C
Stability over Temp Range	$\Delta f/f_0$	$\pm 10\text{ppm} \sim 30\text{ppm}$	Please specify
Temp Operating Range	Topr	-20 ~ +70°C & -40 ~ +85°C	Please specify
Temp Storage Range	Tstg	-40 ~ +125°C	
Equivalent Series Resistance	ESR	See table below	
Load Capacitance	CL	6 ~ 30pF, 18pF std	Please specify
Shunt Capacitance	C0	7pF max	
Drive Level	DL	100μW max	
Insulation Resistance	IR	500MΩ min	@100V DC
Aging	$\Delta f/f_0$	$\pm 5\text{ppm} / \text{year max}$	@25°C

Frequency Range (MHz)	ESR (Ω) max	Mode
12.0 ~ 15.9	60	Fundamental
16.1 ~ 45.0	40	Fundamental
32.0 ~ 120.0	80	Third Overtone



Please note that all parameters can not necessarily be specified in the same device

ISO9002 Registered - Registration number 6830/2

For quotations or further information please contact us at:

3 The Business Centre, Molly Millars Lane, Wokingham, Berks, RG41 2EY, UK
www.advancedcrystaltechnology.com

Issue 3 D2 19/12/02