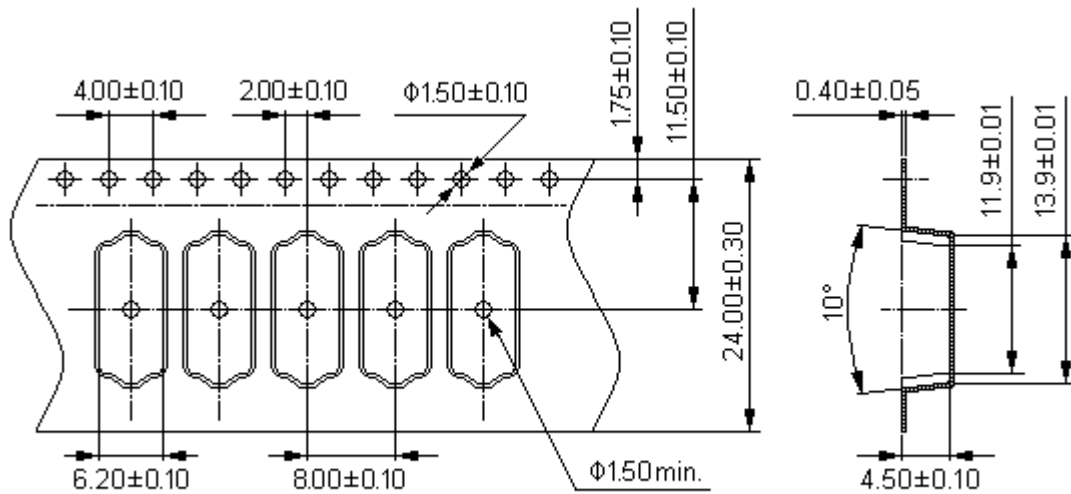


Tape & Reel Information

F11SMD



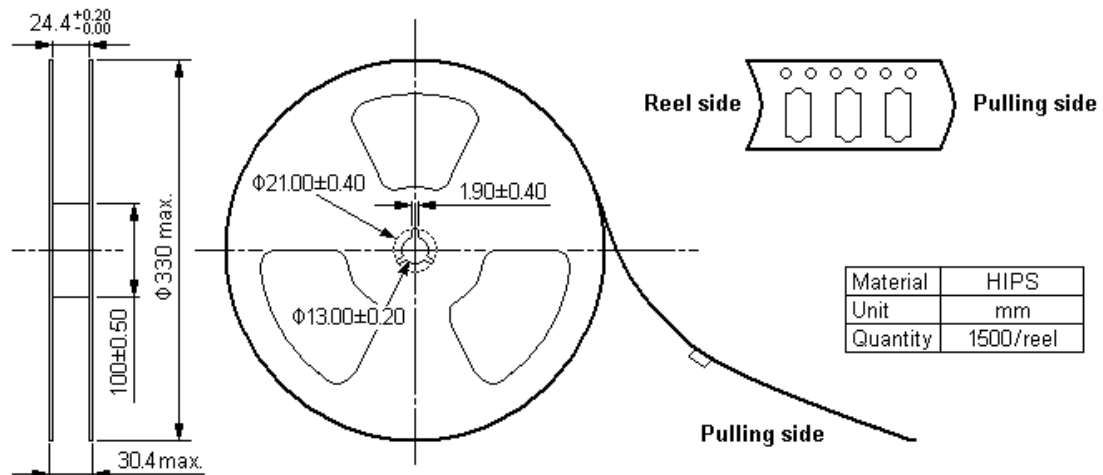
Tape



Dimensions in mm

All dimensions meet EIA-481-2 requirements.

Reel



In keeping with our ongoing policy of product evolution and improvement, the above specification is subject to change without notice.

ISO9001: 2000 Registered - Registration number 6830/2

For quotations or further information please contact us at:

3 The Business Centre, Molly Millars Lane, Wokingham, Berks, RG41 2EY, UK

<http://www.actcrystals.com>