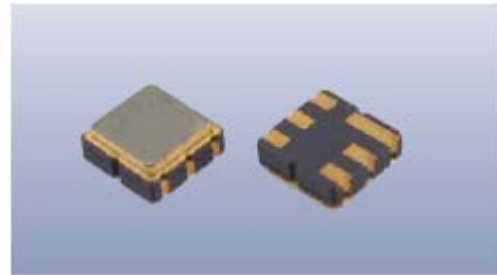
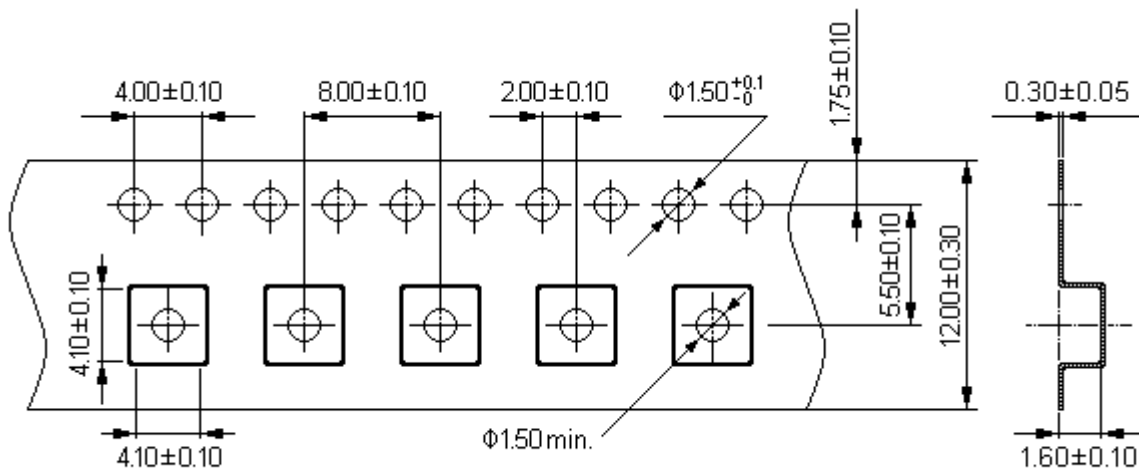


## Tape & Reel Information

### DCC6 (3.8x3.8-6)



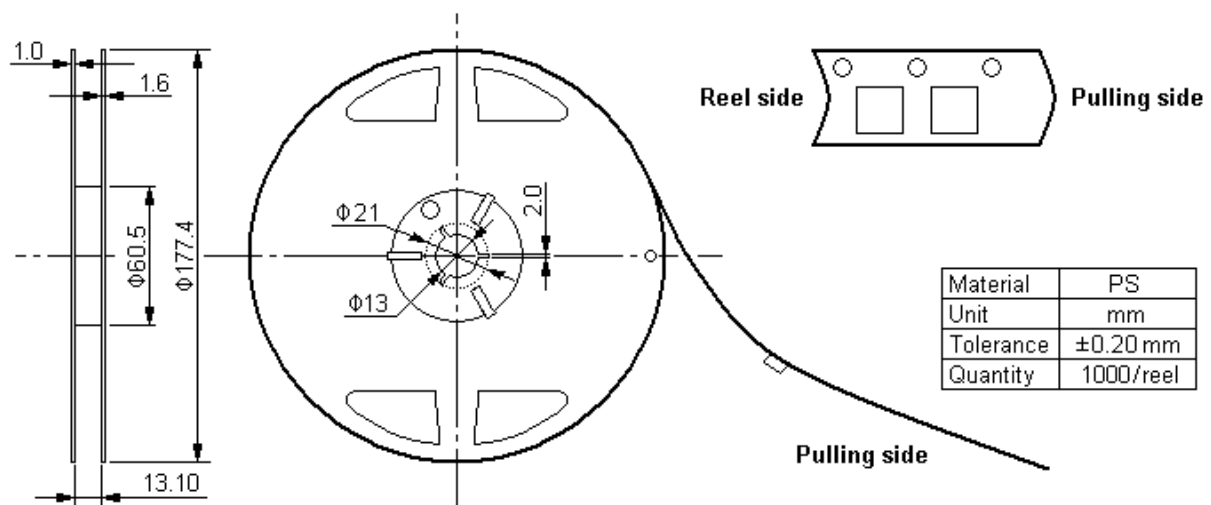
## Tape



Dimensions in mm

All dimensions meet EIA-481-1-A requirements.

## Reel



In keeping with our ongoing policy of product evolution and improvement, the above specification is subject to change without notice.

**ISO9001: 2000 Registered - Registration number 6830/2**

For quotations or further information please contact us at:

3 The Business Centre, Molly Millars Lane, Wokingham, Berks, RG41 2EY, UK

<http://www.actcrystals.com>

Issue:- 1c 1

Date:- SEPT 04