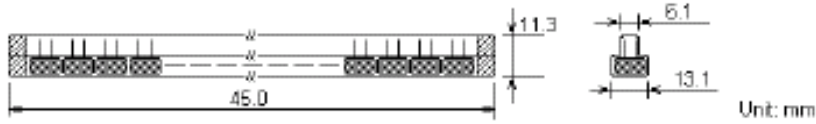


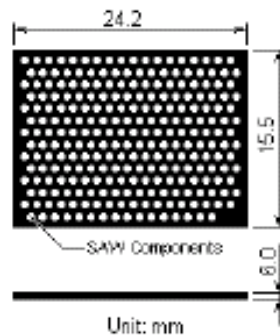
TO39 SERIES PACKAGING INFORMATION

TO39 SERIES (In Tube Packing)



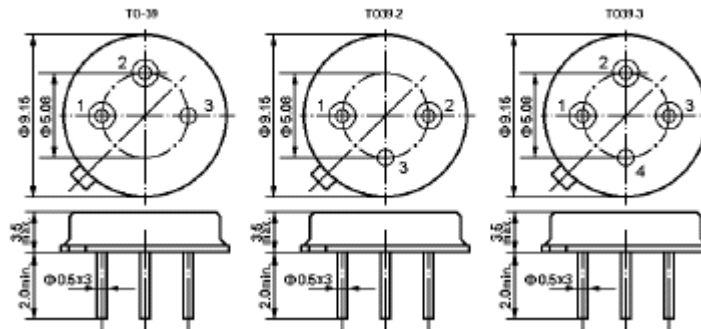
Components are packed in transparent plastic tube. Each plastic tube contains 50 components. 10 tubes are tied up a bundle by transparent adhesive tape (500 pieces). Each inner carton box contains 10 bundles (5000 pcs). Each outer carton box contains 2 Inner boxes (10000 pcs).

TO39 SERIES (In Sheet Packing)



Components are inserted on layer of anti-static sheet. Each layer contains 250 components. Each small paper box contains 10 layers of anti-static sheet (2500 pcs). Each carton box contains 4 small paper boxes (10000 pcs).

PACKAGE DIMENSION



In keeping with our ongoing policy of product evolution and improvement, the above specification is subject to change without notice.

ISO9001: 2000 Registered - Registration number 6830/2

For quotations or further information please contact us at:

3 The Business Centre, Molly Millars Lane, Wokingham, Berks, RG41 2EY, UK

<http://www.actcrystals.com>