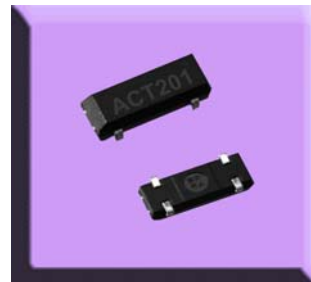


ACT201

Compatible with Eu Directive
 2002/95/EC - RoHS
 Contains Pb>85% high melting
 point solder exempted from
 Article 4(1) of the directive

The ACT201 is a miniature surface mount Watch Crystal whose low power consumption makes it ideal for portable applications. It's size makes it suitable for high density circuit boards or applications where space is limited and the tape and reel packaging means that it is ideal for automatic placement machines.

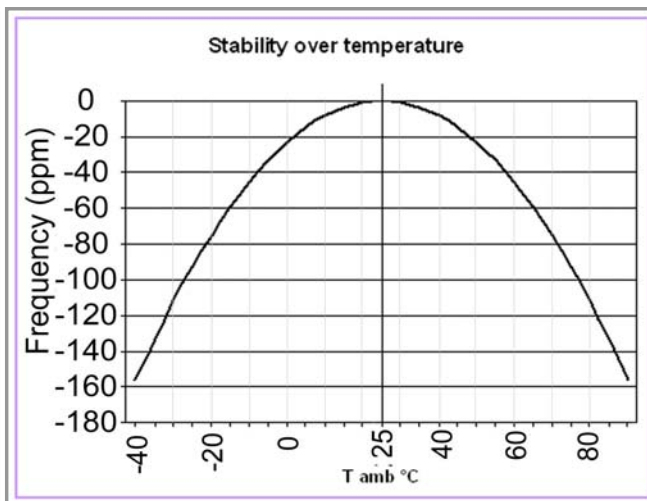
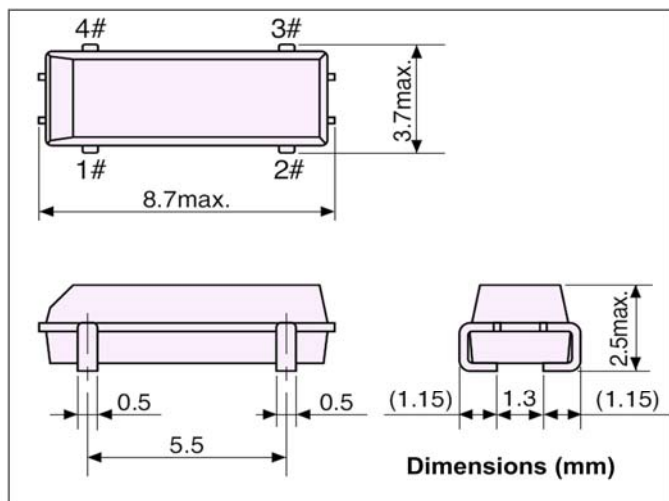
The heart of the device is a heat resistant cylinder type crystal which gives it high stability characteristics sufficient to allow reflow soldering. The epoxy based encapsulation makes it better suited to post reflow washing compared with some liquid polymer plastic encapsulated devices. However ultrasonic cleaning is not recommended as permanent damage may occur.



Specification

Parameter	Symbol	Specification	Condition
Nominal Frequency	fo	32.768KHz*	
Frequency Tolerance	$\Delta f/fo$	± 20 ppm	@25°C
Frequency v Temp Characteristics	$\Delta f/fo$	See drawing	-10 ~ +60°C
Turnover Temperature	Tm	25°C ± 5 °C	
Freq. Temp. coefficient	β	$(-3.5 \pm 0.8) \times 10^{-8}/\text{°C}^2$ max	
Temp Operating Range	Topr	-40 ~ +85°C	
Temp Storage Range	Tstg	-55 ~ +125°C	
Equivalent Series Resistance	ESR	50K Ω max (34K Ω Typical)	@25°C
Shunt Capacitance	Co	1.0pF Typical	
Load Capacitance	CL	6~12.5pF	Please specify
Motional Capacitance	C1	2.1fF Typical	
Drive Level	DL	1 μ W max (0.1 μ W typical)	
Insulation Resistance	IR	500M Ω min	@DC100v
Aging (first year)	Fa	± 5 ppm	@25 ± 3 °C

* Frequencies from 32kHz to 200kHz with similar specification available please enquire.



Please note that all parameters can not necessarily be specified in the same device

Customer to specify : Frequency Tolerance, Load Capacitance, Operating Temperature Range & Storage Temperature Range

In line with our ongoing policy of product evolution and improvement, the above specification may be subject to change without notice.

ISO9001:2000 Registered

For quotations or further information please contact us at:

3 The Business Centre, Molly Millars Lane, Wokingham, Berkshire, RG41 2EY, UK

<http://www.actcrystals.com>

Issue : 5 I3U

Date : 18/08/08

