

Compatible with Eu Directive
 2002/95/EC - RoHS
 Contains Pb in ceramic parts
 excepted from article 4(1)
 of the directive

ACT ZTB-Y Surface Mount Resonators

The ACT ZTB-Y family of ceramic surface mount resonators offers a cost effective solution for applications requiring low frequency SMD devices, good stability over a wide temperature range, together with accuracy. Frequencies are available from 375kHz to 1250kHz.

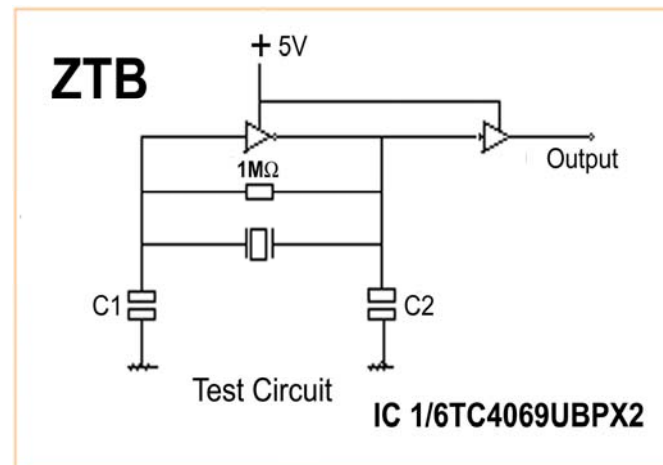
Specification

Part Type/ Frequency Number	Frequency range KHz	Frequency accuracy @25°C	Resonant imp. (Ω)	Stability over Aging over temp. range 10 years (-20 +80°C)(%) (%)		External Capacitance (pF)	
						C1	C2
ZTB-Y	375 ~ 429	±2kHz	<20	±0.3	±0.3	120	470
	430 ~ 509	±2kHz	<20	±0.3	±0.3	100	100
	510 ~ 699	±2kHz	<30	±0.3	±0.3	100	100
	700 ~ 999	±0.5%	<70	±0.3	±0.3	100	100
	1000 ~ 1250	±0.5%	<100	±0.3	±0.3	100	100

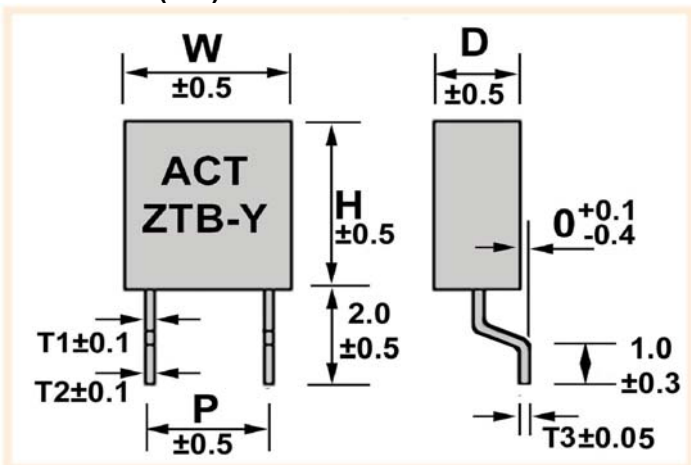
NOTES:

Vibration Mode: Area

Reflow : 250°C 4 sec max



Dimensions (mm)



Dimensions mm (max)

Type No.	Freq. (KHz)	H	W	D	P	T1	T2	T3
ZTB-Y	375 ~ 429	9.0	8.0	3.5	5.0	1.1	0.9	0.15
	430 ~ 509	8.5	7.5	3.3	5.0	1.1	0.9	0.15
	510 ~ 699	8.5	7.0	3.0	5.0	1.1	0.9	0.15
	700 ~ 1250	6.0	5.0	2.2	2.5	0.8	0.8	0.12

Customer to specify : Frequency

In line with our ongoing policy of product evolution and improvement, the above specification may be subject to change without notice

ISO9001:2000 Registered

For quotations or further information please contact us at:

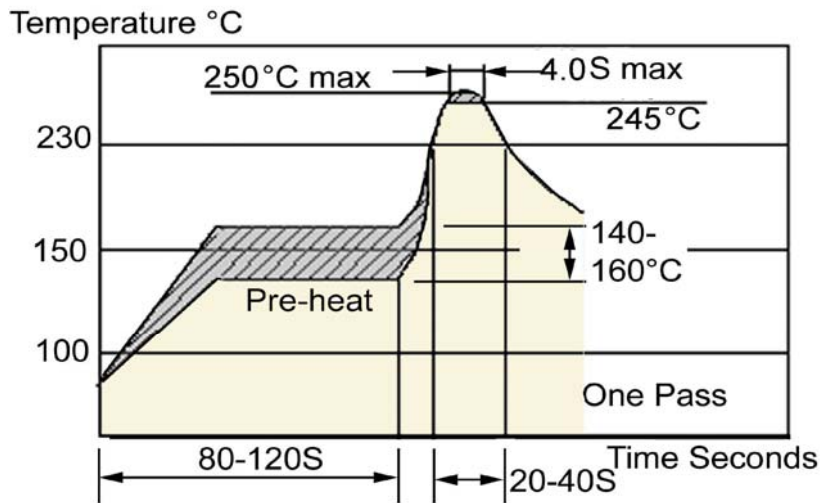
3 The Business Centre, Molly Millars Lane, Wokingham, Berkshire, RG41 2EY, UK

<http://www.actcrystals.com>

Issue: 8 C1r

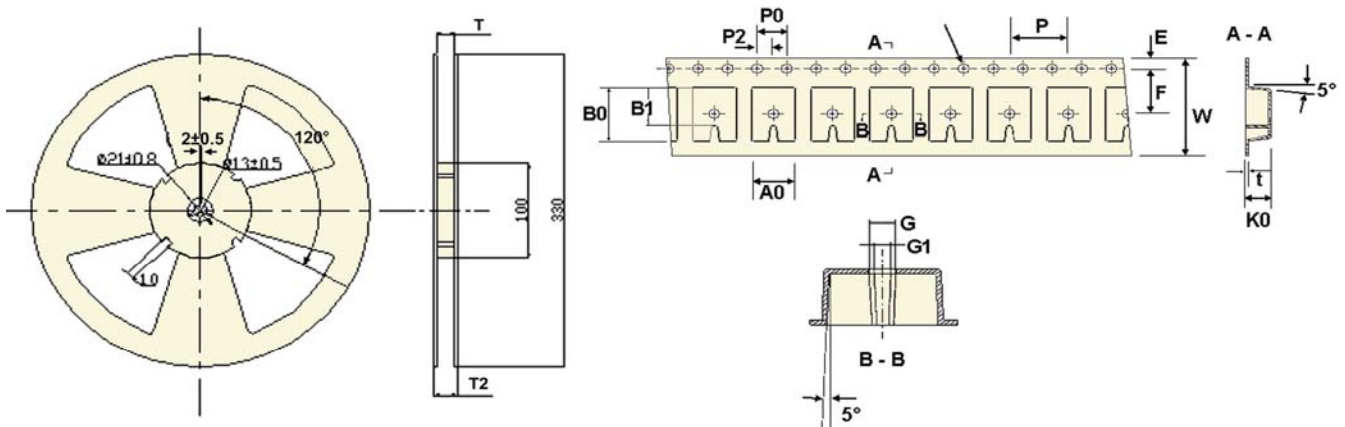
Date: 02-10-2008

ZTBYSMD Ceramic Resonator Reflow



ACT ZTB-Y TAPE AND REEL DIMENSIONS

T



	W	A0	B0	B1	G	G1	K0	K0	E	F	P0	P2	P	D	t	T2	T	Standard reel
	+/-0.2	+/-0.1	+/-0.1	+/-0.05	+/-0.1	+/-0.1	+/-0.1	+/-0	+/-0.1	+/-0.1	+/-0.1	+/-0.1	+/-0.1	+/-0.05	+/-0.05			pcs/reel
375-410	24	8.5	12	6.2	1.3	0.8	4.0		1.75	11.5	4.0	2.0	12	1.55	0.4	28.2	24.5	1000
411-699	24	8.0	11.6	6.2	1.3	0.8	3.8		1.75	11.5	4.0	2.0	12	1.55	0.4	28.2	24.5	1500
700-1250	16	5.4	8.6	6.2	1.3	0.8		3.0	1.75	7.5	4.0	2.0	8.0	1.6	0.4	22.4	16.4	2500

Customer to specify : Frequency

In line with our ongoing policy of product evolution and improvement, the above specification may be subject to change without notice

ISO9001:2000 Registered

For quotations or further information please contact us at:
 3 The Business Centre, Molly Millars Lane, Wokingham, Berkshire, RG41 2EY, UK
<http://www.actcrystals.com>

Issue: 8 C1r
 Date: 02-10-2008