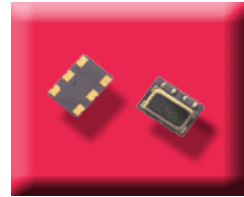


Compatible with Eu Directive
2002/EC - RoHS

ACT9209 LVPECL / LVDS OSCILLATOR

The ACT9209 PECL / LVDS Oscillator is a miniature low profile device allowing for frequencies up to 650 MHz to be available in a 7X5 mm surfacemount package.

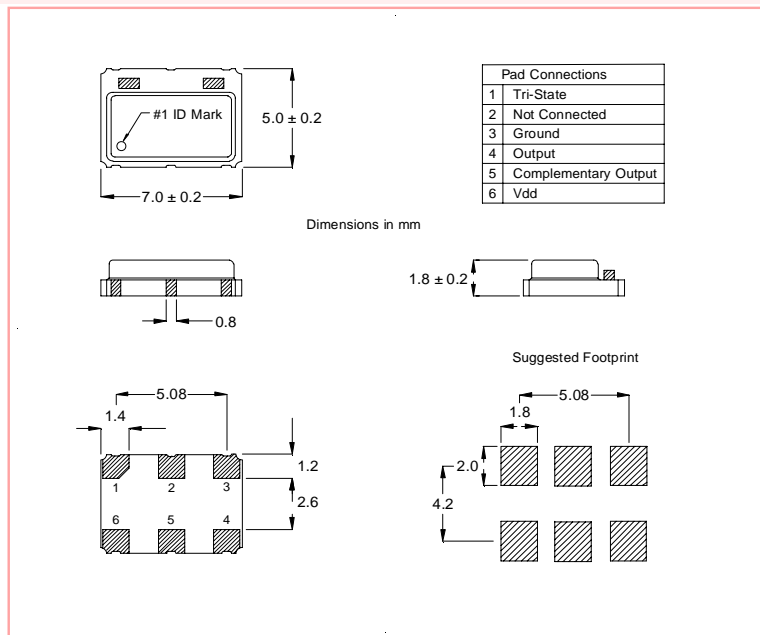
This device is ideal for a wide range of applications where PCB space dictates small size and / or automatic assembly is a requirement. The ACT9209 utilises a 6x3.5mm crystal and a multiplier making it suitable for design into many applications requiring higher frequencies, including Communications / Wireless Equipment, Networking and many more. The parts are available loose or on 1K reels to accommodate low / high volume requirements.



Specification

Parameter	Symbol	Specification	Condition
Frequency Range	fo	25.00 ~ 650.00 MHz	Please specify
Frequency Stability	Df/fo	±20ppm ~ ±100ppm	Please specify
Temp Operating Range	Topr	0 ~ +70°C Std, -40 ~ +85°C also avail.	Please specify
Temp Storage Range	Tstg	-55 to +125°C	
Supply Voltage	VDD	3.3VDC ± 5%	
Supply Current (max)	Iop	85mA up to 160.0 MHz 95mA 161.00 ~ 300.0 MHz 100mA 301.00 ~ 650.0 MHz 5mA up to 100.0 MHz 7mA 101.00 ~ 650.0 MHz	PECL PECL PECL LVDS LVDS
Duty Cycle	Tw/t	40:60% Std	VDD -1.30VDC - LVPECL 1.25VDC - LVDS
Output Level '0'	VOL	VDD -1.63VDC max (LVPECL) 1.25VDC max (LVDS)	
Output Level '1'	VOH	VDD -1.02VDC min (LVPECL) 1.375VDC min (LVDS)	
Rise & Fall Time (max)	Tr/Tf	0.6nS typ.	@ 20 ~ 80%
Output Load	N/CL	50Ω into VDD -2.0V (LVPECL) 100Ω differential Load (LVDS)	
Start-up Time	Tosc	10mS max	
Aging	Fa	±3ppm / year max	
Reflow		10 Secs max @ 240 Deg C	Please enquire for full profile
Jitter	Tj	10pS RMS max	

Withdrawn
27-11-2008



Please note that all parameters can not necessarily be specified in the same device
 Customer to specify :Frequency, Frequency Stability, Operating Temperature Range, Output type

In line with our ongoing policy of product evolution and improvement, the above specification may subject to change without notice

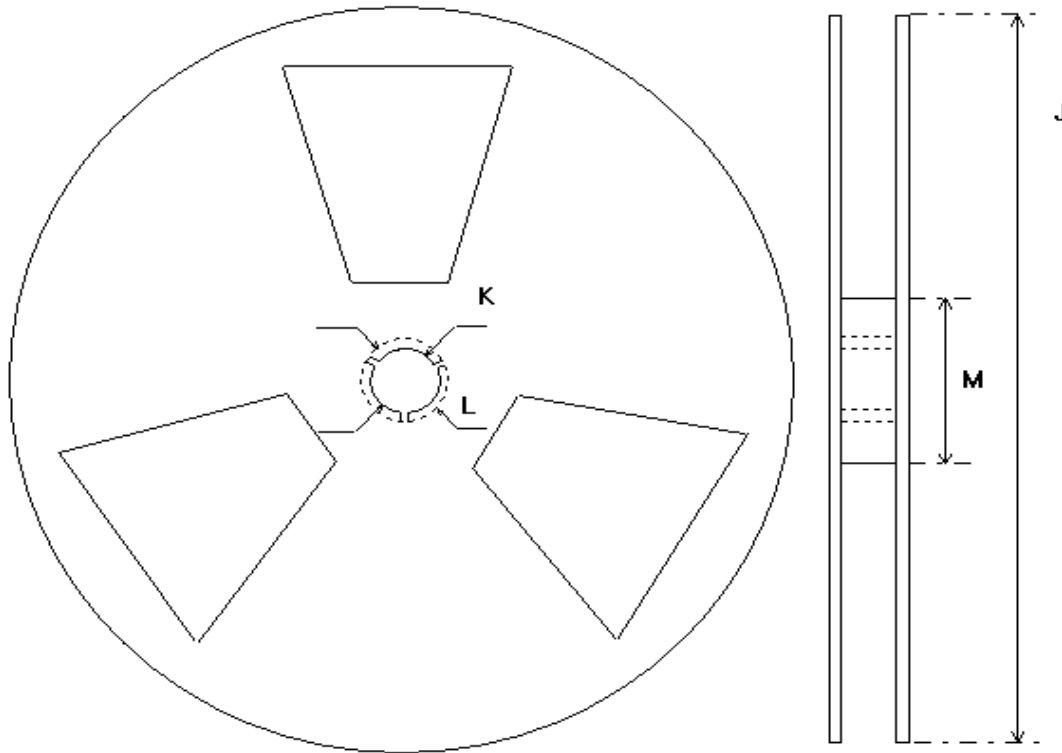
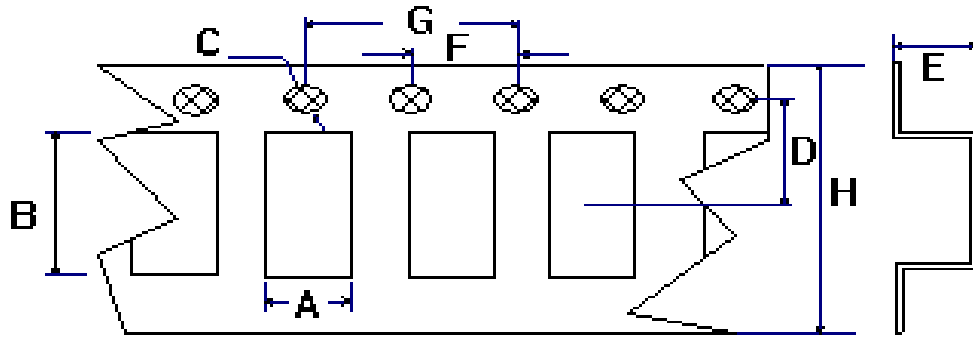
ISO9001 Registered

For quotations or further information please contact us at:
 3 The Business Centre, Molly Millars Lane, Wokingham, Berks, RG41 2EY, UK

Issue :5 D2
 Date :01/08/05

<http://www.actcrystals.com>

**ACT9209 TAPE AND REEL SPECIFICATIONS
REELS OF 1KPCS**



ACT9209	A	B	C	D	E	F	G	H	J	K	L	M
	5.3	7.5	1.5	7.5	1.8	4.0	8.0	16.0	178	13	23	60

In line with our ongoing policy of product evolution and improvement, the above specification is subject to change without notice.

ISO9001: 2000 Registered

Issue :5 D2

Date:01/08/05

For quotations or further information please contact us at:
3 The Business Centre, Molly Millars Lane, Wokingham, Berks, RG41 2EY, UK
<http://www.actcrystals.com>